



PAK TURK

VERTICAL MAGAZINE FED

INSTRUCTION MANUAL

READ THE INSTRUCTIONS AND WARNINGS
IN THIS MANUAL CAREFULLY BEFORE
USING THIS FIREARM

QUALITY CONTROL - WARRANTY CARD

Serial No. of weapon _____ Model _____

Manufacturer _____

Caliber _____ Year of manufacture _____ Barrel Length _____

Number of Cartridges and grams of cartridges tested _____

Chamber details _____

PURCHASER _____

Address _____

Purchase date _____

Signature _____

PLEASE SIGN AND RETURN THIS CARD TO VALIDATE WARRANTY



INTERNATIONAL ARMS & SECURITY

MH-VM 12

**SEMI AUTOMATIC SHOTGUN
INSTRUCTION MANUAL**

As a rifle owner, we will state the following safe rifle usage rules.

You must comply exactly! - Keep your rifle out of reach of children. - Keep your rifle and cartridge in separate places. - Do not store the rifle fully loaded. - After your shot is finished, unload your rifle. Make sure your rifle is unloaded and safe when climbing a tree, jumping over a fence or walking on a slippery surface. -Do not load your rifle before you reach the place where you will shoot. NEVER keep your finger on the trigger before you see the target and decide to fire. - Never shoot at water, rocks or hard surfaces. Regardless of whether your rifle is loaded or unloaded, always make sure that the muzzle of your rifle is pointed in a safe direction. - When giving your rifle to anyone, make sure that the mechanism is fully open and your rifle is safe and without a cartridge. -Always use goggles and headphones while shooting. -After using your rifle, be sure to disassemble the barrel, the choke on the barrel, the gas chamber, the piston, the mechanism, and replace them after cleaning and lubricating them. -When shooting with your rifle, make sure that the fore-end fixing nut, the barrel fixing nut and the gas chamber fixing nut are tightened. (Don't forget to tighten the connection nuts after disassembling your rifle for cleaning or any other reason)

Otherwise, your rifle will leak gas and the barrel will not be stable, so the operating efficiency will decrease.

Safety rules are very important for the protection of you and your loved ones. Ignoring the points specified in the instructions for use can cause very serious injuries.

Keep your operating instructions as long as you use your rifle. If your rifle changes hands, also hand over your operating instructions. For any lost or missing user manual, please request a free copy from your factory or you can access the information you want from www.pakturkarms.com After cleaning, disassembling or assembling your rifle, please check the functional suitability of the rifle once again before using the cartridge. Any modification made outside of our factory and improper assembly of parts to your rifle can cause very dangerous errors and as a result, serious damage to the user and the people around! Correct assembly and operability of the rifle after any disassembly and reassembly is entirely the responsibility of the user. NEVER enter any cartridge filling and use process without fully reading and understanding the information in this user manual. Before using your rifle, definitely learn the working principles of your rifle, these operations include **"TAKING SAFE POSITION"**, other safety features, opening and closing the mechanism safely, loading and unloading in a safe manner.



White dot, safety is on gun is ready to fire

Red dot safety is off

IMPORTANT WARNING • NEVER RELY ON MECHANICAL SAFETY SYSTEMS. Like all other mechanical parts, the safety system can also break, malfunction, wear out, deteriorate, fail to function due to faulty assembly or lack of maintenance. Being dependent on the safety system and relying on it completely does not fit the right rifle usage conditions. • NO SAFETY SYSTEM can prevent the accidental discharge of children or those who do not know how to use the rifle, while playing with the rifle, and the consequences they may cause. • Assume each rifle as "NO MECHANICAL SAFETY SYSTEM" and take your precautions according to this criterion. **MATTERS TO BE CONSIDERED WHEN SHOOTING** Keep your fingers or other objects away from the action area of the bolt and the charging handle while firing, as the mechanism moves back and forth very quickly when firing. Keep the safety on and keep your fingers outside the trigger guard until you are fully ready to fire and fully aim at your target. The mechanism remains open when the last cartridge in the magazine is fired. But never rely on it. Always look inside the magazine to make sure there are no cartridges left. Like all other semi-automatic rifles, the Hunt Group MH-VM12 semi-automatic rifle automatically drives the next cartridge from the magazine into the chamber every time you shoot. Since no mechanical force other than pulling the trigger is required for this process, the rifle is ready for the next shot after each shot.



1. Take out the magazine by pressing the magazine release button



2. Take out the barrel shroud by turn it anti-clockwise.



3. To take out the handguard pull it as shown in picture.



4.Using the wrench which is in the box take out the gas chamber ring nut by rotating clockwise.



5. Take out the Gas chamber ring nut completely out of the barrel.



6. Take out the Gas chamber by moving it forward direction.



7. Take out the piston.



8.Move bolt 4mm backward direction and take out the charging handle.



9. Use the wrench to unscrew the barrel nut. Rotate in clockwise direction.



10. Unscrew the barrel nuts from the body. Make sure you take it apart. Barrel and slide holding it together and pulling it upwards from the body remove it.



11. Remove barrel and Slide together completely.



12. Pulling back the slide on the barrel take the bolt, free the slide from barrel and remove in the upward direction.



13. Press the buttstock adjust button completely and take out the stock.



14. Take the stock out fully.



15. Remove the screw from the backside of tube with the appropriate wrench.



16. Pull out the stock tube.



17. Remove the upper receiver but moving it forward.



1. Install the barrel nut.



2. Attach the larger washer to the barrel.



3. Barrel locking nut insert it into the barrel with the key slots facing up.



4. Install the spring.



5. Insert the slide into the barrel so that the tube part of the slide stays up.



6. Pull the slide back by holding it firmly against the force of the spring and put the bolt on slide.



7. Make sure that the tab on the mechanism and the tab on the barrel are aligned and insert.



8. Place the barrel assembly into the receiver with the tab to the right and insert it.



9. Tighten the 2 nuts in a clockwise direction using a wrench.



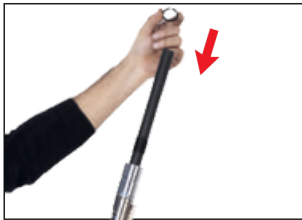
10. Pull the slide back 4 mm and set it to the correct position, push the charging handle back into its slot & press it in.



11. Insert the gas piston into the wide-diameter slide. Insert it into the barrel facing up.



12. Place the gas chamber in the barrel with the direction you want to use facing the piston.



13. Fit the small washer into the gas chamber.



14. Tighten the gas chamber ring nut clockwise with the key grooves facing up.



15. By using the wrench tighten the gas chamber by turning clockwise direction.



16. Place the upper receiver onto the lower receiver.



17. Insert the butt tube into the lower receiver.



18. Insert the screw in the tube and tighten it with the suitable wrench.



19. Press the butt latch to move to the 2nd stage, place it in the tube after it clicks and close it.



20. Make sure the stock action latch is locked.

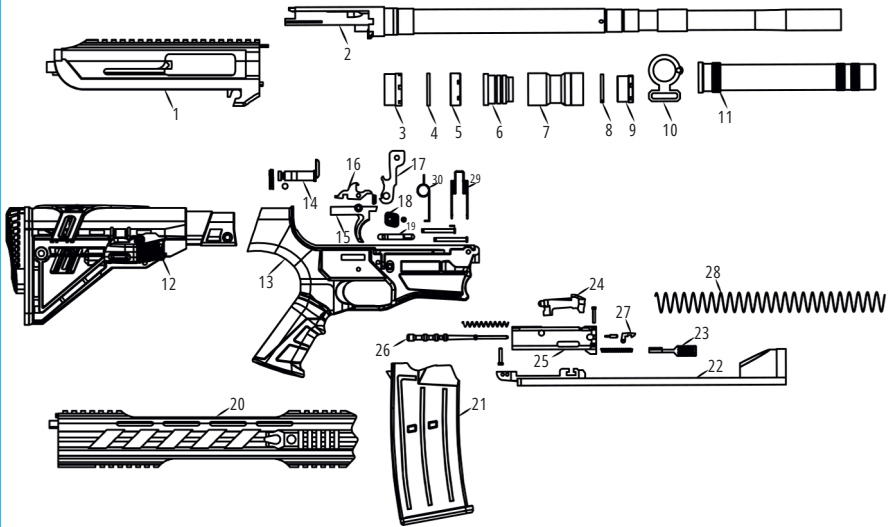


21. Insert the fore-end into its slot in the body by passing it through the barrel.



22. Tighten the fore-end xing nut by turning it clockwise.





1 Upper receiver	11 Barrel shroud	12	21 Rail 22 Charging handle
2 Barrel	Buttstock set		
3 Barrel nut	13 Lower Receiver	15	23 Charging handle
4 Barrel washer	14 Safety selector	15	24 Bolt head key 25
5 Barrel locking nut	Trigger 16 Dis-connector		26 Firing pin
6 Piston	17 Hammer		27 Nail
7 Gas chamber	18 Magazine catch button		28 Spring
8 Gas chamber washer	19 Magazine catch		29 Hammer spring
9 Gas chamber nut	20 For-end		30 Trigger spring
10 Strap holder			



For above 40gr. and magnum cartridges, heavy side of piston is directed towards receiver.



This piston placement is for ROUNDS between 28gr. and 40gr.

We recommend that you follow the usage rule of the evacuated gas chamber system for a longer life and more stable operation of your rifle. This system is used in high gram continuous cartridges. To get the gas pressure required for your rifle to work, and to evacuate the excess, to reduce the impact on your rifle (HEAVY) Low gram cartridges use, dampness of the cartridges, use of mixed cartridges, errors that may occur during the use of cartridges with low gunpowder charge, by strengthening the gas chamber. By absorbing the gas for setting up, to minimize these errors and to get stable performance (LIGHT) There is no leakage in the gas chamber and piston part, known as the oring, as it is not in any part of your rifle, preventive rubber seals are not used. In this way, with your rifle you will not be faced with melting at the time of shooting, losing during cleaning and therefore working properly. You have the opportunity to shoot up to 15 times more without clearing non-stop. Let's not forget that rifles also consist of metal parts that need maintenance. For this reason, we recommend that you store your rifle after cleaning it after use, in order to get better performance (page 2). This system has been put into production after 3000 rounds of continuous firing. Thank you very much for giving importance to your rifle and following the correct usage rules...



PAK TURK



BE COURTEOUS

When shooting or hunting always acquire the permission of the landowner. Respect the land. Do not litter, use gates when possible, leave open and closed gates closed. Drive vehicles only where advance permission has been granted and always express gratitude for use of another person's land.

Offer your labour or game as repayment for the privilege of use. Remember you are helping develop a reputation for all sportsmen/sportswomen.

Mail Us

defence@pakturkarms.com

Address

Hamidiye Mahallesi, 40907.Sokak, No:1-A, Beysehir, konya

PAKTURK ARMS



HUNT GROUP



