



PAK TURK

MX4

MANUAL

READ THE INSTRUCTIONS AND
WARNINGS IN THIS MANUAL
CAREFULLY BEFORE USING THIS
FIREARM

QUALITY CONTROL - WARRANTY CARD

Serial No. of weapon _____ Model _____

Manufacturer _____

Caliber _____ Year of manufacture _____ Barrel Length _____

Number of Cartridges and grams of cartridges tested _____

Chamber details _____

PURCHASER _____

Address _____

Purchase date _____

Signature _____

PLEASE SIGN AND RETURN THIS CARD TO VALIDATE WARRANTY



INTERNATIONAL ARMS & SECURITY

MX4 SHOTGUN

SEMI AUTOMATIC SHOTGUN

PLEASE CAREFULLY READ THE FOLLOWING SAFETY RULES BEFORE USING YOUR RIFLE.

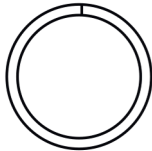
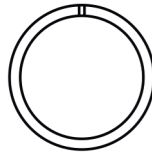
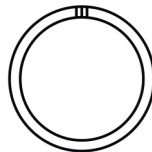
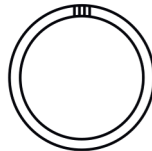
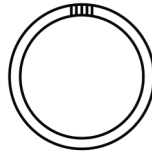
Rifles can be dangerous if not used properly and can cause serious injury and death. The following safety and security rules describe user responsibilities related to the rifle. a) Never send your rifle (loaded or unloaded) to a person. Do not straighten gun to anyone. b) Do not aim your rifle towards an unsafe place for shooting. Never shoot on hard surfaces or water. c) Keep the safety of your gun open (the red warning line should be invisible) until you are ready to shoot. d) Keep your finger away from the trigger until you decide to shoot. e) Make sure that the inside of the barrel is clean. f) Learn the working system and safety features of your gun well. Please note, however, that no safety mechanism can be used to ensure that safe use procedures does not take its place. g) Keep your gun out of reach of children. h) Do not delay the maintenance of your gun. i) Use suitable cartridges in your gun and avoid the use of hand-loaded cartridges. j) Always use safety glasses and earplugs while shooting. k) Do not use alcoholic beverages, drugs or drugs that may cause distraction before or during use of your weapon. l) Do not leave cartridges when you are not using your gun. m) Do not make any mechanical changes to your gun. n) Have your gun repaired only at authorized services. **WARNING:** Each rifle has the potential to kill you or another person. Accidents occur as a result of non-compliance with safety rules and carelessness. **WARNING:** Unloading, cleaning, or servicing your rifle in a poorly ventilated environment; may cause you to inhale burnt gases. These gases can cause birth defects, permanent damage, and other serious injury. Always maintain your rifle in well-ventilated environments. Wash your hands after care.

1) NEVER MAKE CHANGES OR MODIFICATIONS ON THE RIFLE. This shotgun has been manufactured under specific manufacturer's instructions and under ANY circumstances modifications or modifications to the shotgun should not be made. Replacing the trigger, mechanical parts and safety systems, or using products other than those delivered in the original box of the rifle; It is NOT RECOMMENDED by the manufacturer as it may endanger the safety of both you and the people around you and cause death and injury. Any replacement on the shotgun WILL ALSO VOID THE FACTORY WARRANTY.

2) PROPER MAINTENANCE AND STORAGE. Regular maintenance and cleaning is essential to keeping your shotgun's effectiveness, functionality and durability at its highest level. ALWAYS make sure your rifle is unloaded before you start cleaning your rifle. **3) MAKE SURE YOU HAVE FULLY READ AND UNDERSTAND THE USER'S MANUAL BEFORE USING YOUR FIRE WEAPON. 4) ALWAYS BE AWARE OF THE OPERATION AND USE CHARACTERISTICS SPECIFIC TO YOUR RIFLE. 5) KEEP YOUR RIFLE UNLOADED (WITHOUT A CARTRIDGE) UNTIL IT IS READY TO USE.**

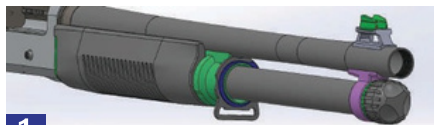
When you have your rifle in your hand, turn the rifle's safety button to the off position (pointing to the white dot), remove the magazine, and check the chamber to make sure it is empty 1) After firing 2) Before putting the rifle aside 3) Before putting the rifle in its holster 4) When you are not using the rifle 5) Remove all cartridges from the magazine and chamber before handing over the rifle to someone else. **NEVER:** - Do not leave a loaded rifle unattended. - Do not assume that the same rifle is unloaded, even if it was the last time you used the rifle. Always make sure that there is no cartridge in the rifle and that the chamber ,make sure it is empty. - Do not insert the cartridge into the chamber until you are ready to fire. - You must not carry or take the rifle with a real (loaded) cartridge in the chamber.

6- KEEP YOUR FINGER AWAY FROM THE TRIGGER UNTIL YOU ARE READY TO FIRE! 7- ALWAYS KEEP YOUR RIFLE AIMED IN A SAFE DIRECTION: A safe direction is one in which you or someone else will not be injured or harmed if the rifle fires unintentionally. **8- ALWAYS USE SUITABLE ROUNDS:** All firearms are designed to use ammunition of a certain caliber. Only use ammunition recommended by the manufacturer. HUNT GROUP MX4 semi-automatic shotguns are 12 and 76 mm magnum, chambered. Our 12 Caliber rifles are 70 mm. (28 gr.) to 76 mm. (52 gr.) It is designed to be used with all factory full cartridges. **WARNING:** Never use a single bullet with 1, 2 and 3 shocks. **WARNING:** Never use steel shot cartridges with 1 and 2 chokes. **9- COMPLY WITH THE LAWS REGARDING THE PURCHASE, OWNERSHIP, HANDLING AND USE OF FIRE ARMS. 10- ALWAYS BE AWARE OF YOUR TARGET AND WHAT IS BEHIND THE TARGET! 11- ALWAYS WEAR MATERIALS TO PROTECT YOUR EYES, EARS AND BODY! 12- IF YOUR WEAPON IS NOT FIRED WHEN THE TRIGGER HAS BEEN PICKED, HANDL YOUR WEAPON VERY CAREFULLY! :** If the rifle is not fired when you pull the trigger, STOP first!. Do not forget to point your rifle in a safe direction! Keeping your face away from the area where the empty cartridge will come out, after turning off the safety, carefully open the mechanism and safely unload the rifle and get rid of the unexploded cartridge. Always act as if the rifle is loaded. **13- WHEN LOADING OR UNLOADING YOUR WEAPON, EVEN IF THE SAFETY BUTTON IS OFF (GREEN) ACT AS IF YOUR GUN IS LOADED!:** The rifle is a mechanical tool, so wear and tear can occur over time. Always keep your finger away from the trigger while loading and unloading the rifle. In case of malfunction of the safety system of your rifle for any reason, the rifle may start unintentionally. In such a case, immediately unload your rifle and do not use it! **14- ALWAYS KEEP YOUR WEAPON WITH THE MECHANICAL AND STRUCTURAL SHAPE IT WAS BUYING!**

Choke type	Symbol	Use	Shot number	Target
<p>* 1 FULL</p>		<p>Like duck and goose long distance hunts, long ranged rounds with shots inside</p>	<p>1-2-3</p>	<p>50 - 60 Meter</p>
<p>** 2 IMPROVED MODIFIED</p>		<p>Partridge, rabbit and pheasant 35-40 meters away in hunting, long ranged rounds with shots inside</p>	<p>4-5-6</p>	<p>35 - 40 Meter</p>
<p>*** 3 MODIFIED</p>		<p>Woodcock, pheasant and like a quail 30-35 meters distance hunts, with steel shots</p>	<p>5-6-7-8</p>	<p>30 - 35 Meter</p>
<p>**** 4 IMPROVED CYLINDER</p>		<p>For sporting purposes plate and skeet shot, short range distance</p>	<p>7-8-9-10 11-12</p>	<p>25 - 30 Meter</p>
<p>***** 5 SKEET</p>		<p>Like duck and goose long distance hunts, long ranged rounds with shots inside</p>	<p>7-8-9-10 11-12</p>	<p>20 - 25 Meter</p>

- 1) Point your rifle in a safe direction. Remember that the “safe direction” means the direction in which no one will be harmed if your rifle accidentally fires.
- 2) Take your fingers away from the trigger.
- 3) Pull the cocking handle until all the cartridges in the chamber are discharged.
- 4) Lock the charging handle back using the mechanism locker and make sure there are no cartridges in the chamber.

BARREL FLASH HIDER WARNING: NEVER IGNORE SAFETY RULES OR DON'T REMOVE FLASH HIDER WHEN THE GUN IS LOADED. WHILE THE GUN IS LOADED. MAKE SURE THE FLASH HIDERS ARE FITTED FULLY AND TIGHTLY ON THE BARREL. DO NOT FIRE. OTHERWISE THE BARREL WILL DAMAGE. **IMPORTANT WARNING** THIS RIFLE WAS DEVELOPED TO WORK HEALTHY IN ORIGINAL CONDITION DESIGNED BY THE MANUFACTURER. THE MANUFACTURER IS NOT RESPONSIBLE FOR ANY CHANGES TO THE RIFLE AFTER IT IS LEFT FROM THE COMPANY'S CONTROL. AND NEVER ACCEPT A LEGAL LIABILITY. THIS IS DESIGNED BY HUNT GROUP DON'T USE SPARE PARTS OR ACCESSORIES THAT ARE NOT MANUFACTURED OR MARKETED BY OTHER COMPANIES.



1

Remove magazine cap by moving it anti clockwise.



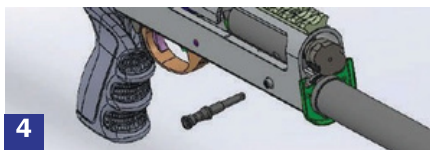
2

Pull barrel forward a bit and then remove forend by pressing it downward.



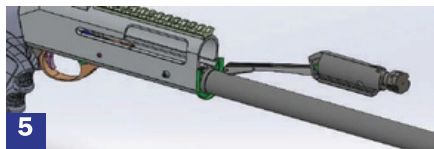
3

Remove barrel.



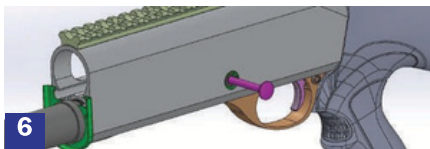
4

Now take out charging handle, move anti clockwise and take out..



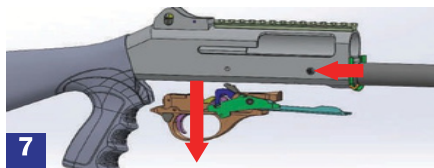
5

Take out bolt.



6

Now remove receiver pin.

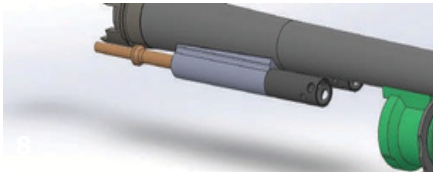


7

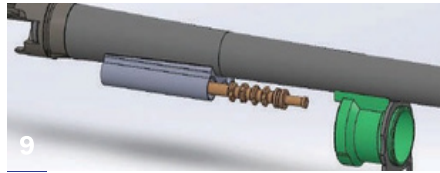
First pull trigger assembly backward and then take out.

Your gun is ready for general cleaning after these operations. If you want to clean the mechanism and gas system of your gun, you should follow the next steps.

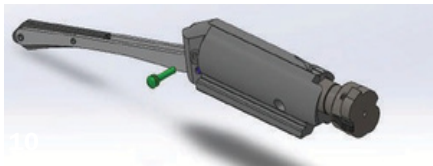
NOTE: As a company, we do not recommend that users who do not have sufficient knowledge and experience disassemble the gas system.



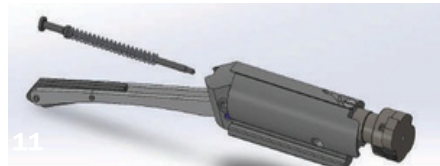
Remove Evacuation valve cover by moving it anti clockwise.



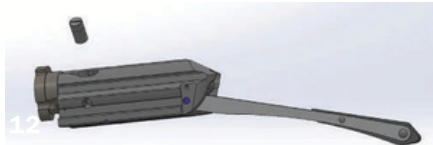
Take out gas chamber piston by pulling forward.



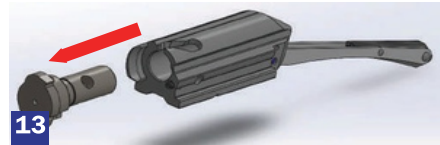
Remove pins as shown in the picture.



Now remove firing pin.

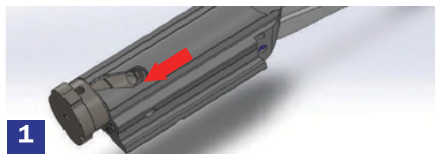


Remove bolt head pin.



Finally remove bolt head.

Cleaning has been completed. Follow the next steps to assemble the shotgun.



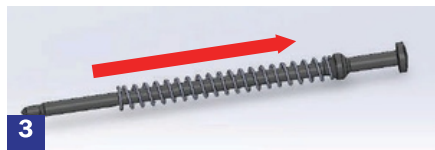
1

Place locking head at its place.



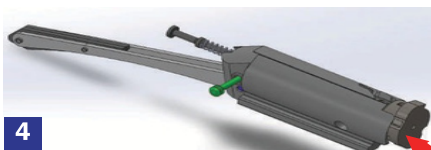
2

Insert locking head pin.



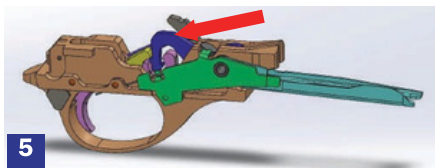
3

Insert firing pin.



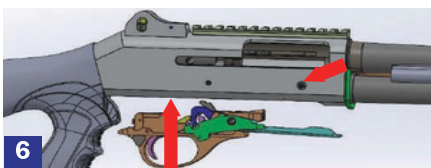
4

After placing firing pin at its place, put Firing Pin Retaining Pin and other pins correctly.



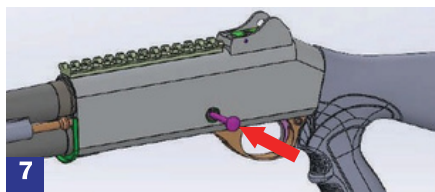
5

Trigger assembly.



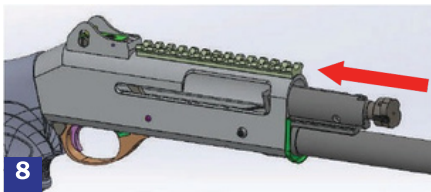
6

Place trigger assembly, make sure that hammer is pressed back.



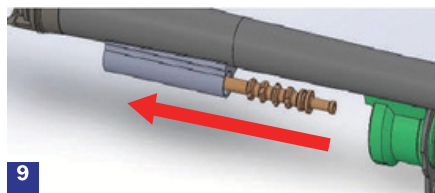
7

Insert receiver pins.



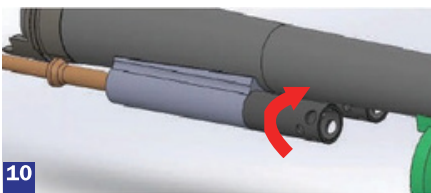
8

Place bolt.



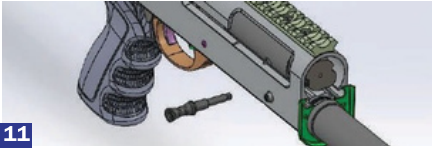
9

Now put gas chamber piston.



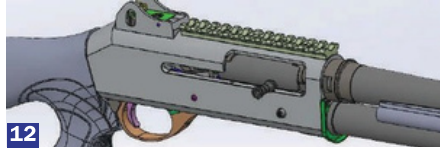
10

Place correctly Evacuation valve cover as shown in picture.



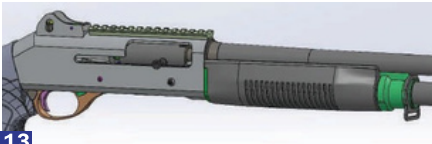
11

Now insert charging handle.



12

Place barrel correctly.



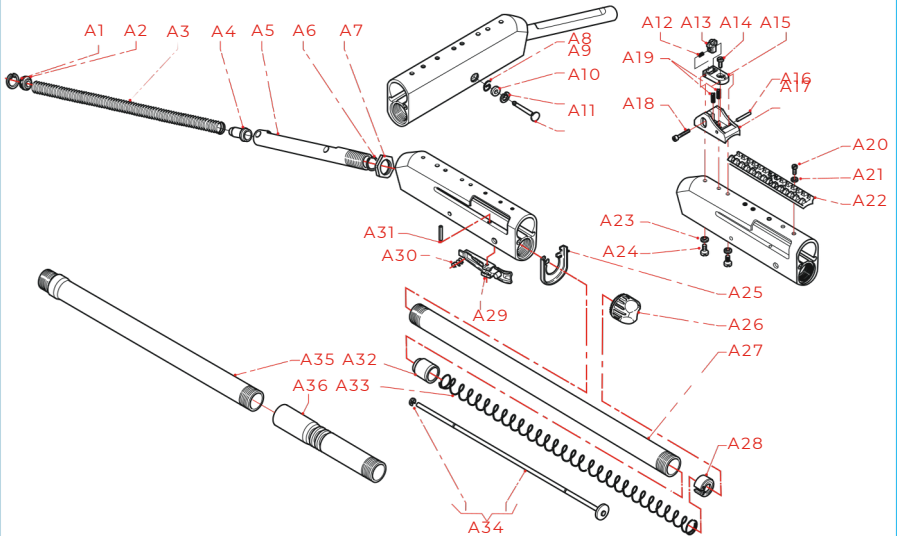
13

Place barrel and forend on their places as shown in picture.



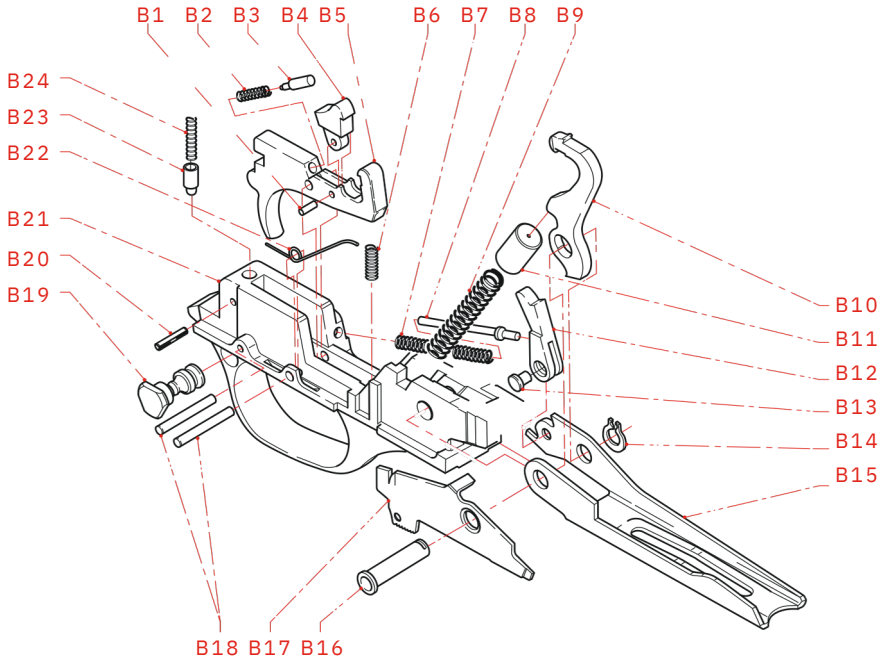
14

Finally fix magazine tube cap.

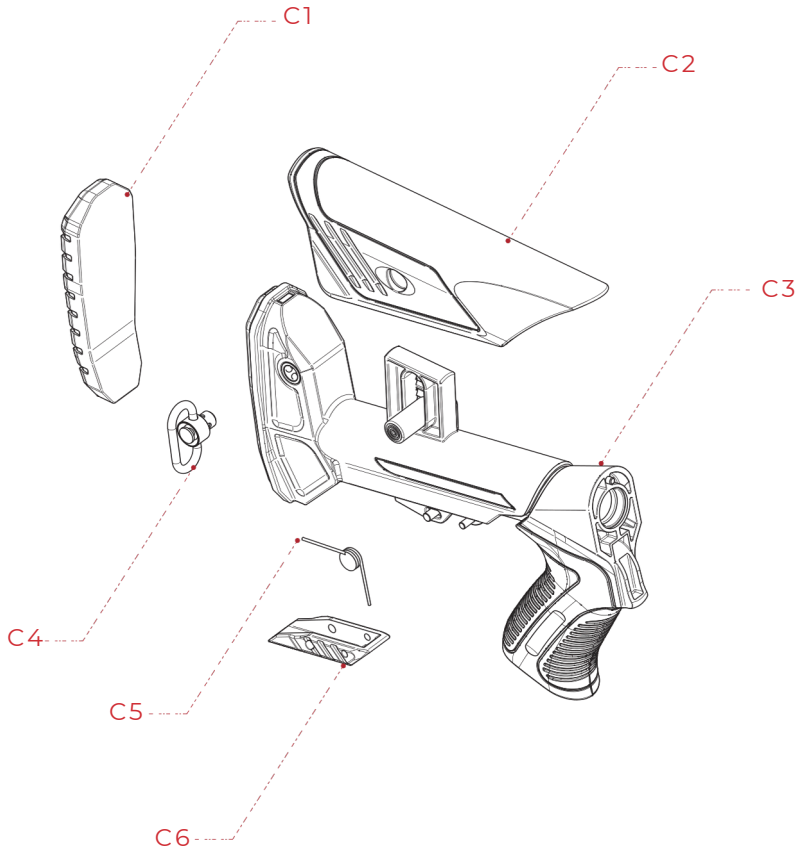


A1 Stock retaining spring	A13 Rear sight aperture	A25 Forend retaining band
A2 Stock retaining screw	A14 Elevation adjustment screw	A26 Magazine cap
A3 Recoil spring	A15 Elevation platform	A27 Magazine tube
A4 Recoil spring plunger	A16 Sight pin	A28 Magazine spring seal ring
A5 Recoil spring tube	A17 Rear sight base	A29 Shell stop
A6 Flexible ring	A18 Windage adjustment screw	A30 Shell stop spring
A7 Nut	A19 Elevation spring	A31 Shell stop pin
A8 Retaining spring	A20 Rail screw	A32 Follower
A9 Retaining spacer	A21 Rail washer	A33 Magazine spring
A10 Retaining ring	A22 Rail	A34 Plug
A11 Axle bush	A23 Rear sight washer	A35 Magazine tube short
A12 Windage spring	A24 Rear sight screw	A36 Magazine tube extension

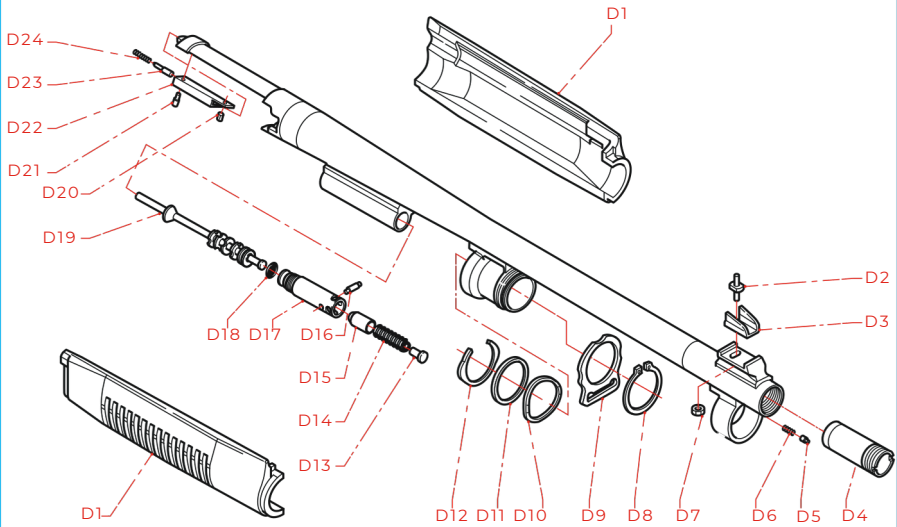
Trigger assembly Diagram



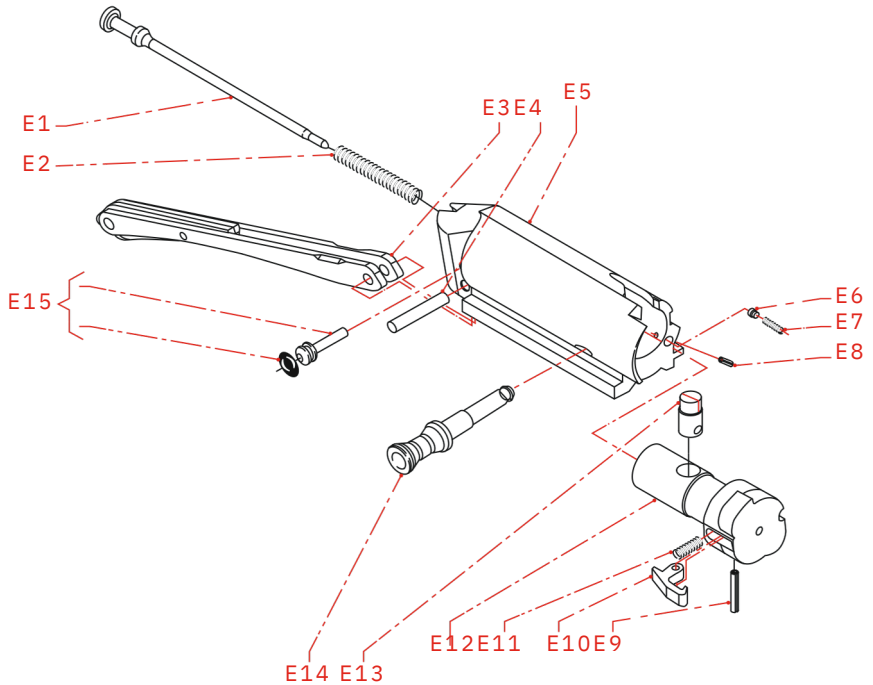
B1 Disconnecter pin	B9 Hammer spring	B17 Shell release lever
B2 Disconnecter spring	B10 Hammer	B18 Trigger pin
B3 Disconnecter plunger	B11 Hammer spring cap	B19 Safety button
B4 Disconnecter	B12 Breech bolt latch	B20 Safety plunger retaining pin
B5 Trigger	B13 Breech bolt latch pin	B21 Trigger guard
B6 Trigger spring	B14 Trigger guard pin spring	B22 Shell release lever spring
B7 Carrier spring	B15 Carrier	B23 Safety plunger
B8 Carrier spring plunger	B16 Trigger pin bushing	B24 Safety plunger spring



C1 Recoil pad	C3 Pistol grip	C5 Lever release
C2 Cheek riser	C4 Tactical sling	C6 Lever release



D1 Forend left right	D9 Sling attachment plate	D17 Gas plug
D2 Front sight post	D10 Spring washer	D18 Gas plug O-ring
D3 Front sight protection guard	D11 Washer	D19 Gas piston
D4 Internal choke	D12 Retaining ring	D20 Ejector retaining rivet
D5 Cap retaining pin	D13 Gas plug spacer	D21 Ejector spring retaining pin
D6 Cap retaining spring	D14 Gas plug spring	D22 Ejector frame
D7 Front sight retaining nut	D15 Gas plug cap	D23 Ejector pin
D8 Sling plate retainer	D16 Gas plug pin	D24 Ejector spring



E1 Firing pin	E6 Bolt handle detente	E11 Extractor spring
E2 Firing pin spring	E7 Bolt handle detente spring	E12 Bolt head
E3 Link	E8 Bolt handle spring retaining pin	E13 Cam pin
E4 Link pin	E9 Extractor pin	E14 Bolt handle
E5 Bolt carrier	E10 Extractor	E15 Firing pin retaining pin

IMPORTANT WARNING: In case of a malfunction in your rifle, after taking the safety precautions, you can contact our authorized dealer and get detailed help regarding the malfunction. **IMPORTANT WARNING:** If the malfunction in your rifle does not improve, you can get remote assistance by calling our factory technical service (+90 542 2738246).





PAK TURK



BE COURTEOUS

When shooting or hunting always acquire the permission of the landowner. Respect the land. Do not litter, use gates when possible, leave open and closed gates closed. Drive vehicles only where advance permission has been granted and always express gratitude for use of another person's land.

Offer your labour or game as repayment for the privilege of use. Remember you are helping develop a reputation for all sportsmen/sportswomen.

Mail Us

defence@pakturkarms.com

Address

Hamidiye Mahallesi, 40907.Sokak, No:1-A, Beysehir, konya