



PAK TURK

MHTS SAIGA

INSTRUCTION MANUAL

READ THE INSTRUCTIONS AND WARNINGS
IN THIS MANUAL CAREFULLY BEFORE
USING THIS FIREARM

QUALITY CONTROL - WARRANTY CARD

Serial No. of weapon _____ Model _____

Manufacturer _____

Caliber _____ Year of manufacture _____ Barrel Length _____

Number of Cartridges and grams of cartridges tested _____

Chamber details _____

PURCHASER _____

Address _____

Purchase date _____

Signature _____

PLEASE SIGN AND RETURN THIS CARD TO VALIDATE WARRANTY



INTERNATIONAL ARMS & SECURITY

MH-TS 12

**SEMI AUTOMATIC SHOTGUN
INSTRUCTION MANUAL**

As a rifle owner, we will state the following safe rifle usage rules.

You must comply exactly! - Keep your rifle out of reach of children. - Keep your rifle and cartridge in separate places. - Do not store the rifle fully loaded. - After your shot is finished, unload your rifle. Make sure your rifle is unloaded and safe when climbing a tree, jumping over a fence or walking on a slippery surface. -Do not load your rifle before you reach the place where you will shoot. NEVER keep your finger on the trigger before you see the target and decide to fire. - Never shoot at water, rocks or hard surfaces. Regardless of whether your rifle is loaded or unloaded, always make sure that the muzzle of your rifle is pointed in a safe direction. - When giving your rifle to anyone, make sure that the mechanism is fully open and your rifle is safe and without a cartridge. -Always use goggles and headphones while shooting. -After using your rifle, be sure to disassemble the barrel, the choke on the barrel, the gas chamber, the piston, the mechanism, and replace them after cleaning and lubricating them. -When shooting with your rifle, make sure that the fore-end fixing nut, the barrel fixing nut and the gas chamber fixing nut are tightened. (Don't forget to tighten the connection nuts after disassembling your rifle for cleaning or any other reason)

Otherwise, your rifle will leak gas and the barrel will not be stable, so the operating efficiency will decrease.

Safety rules are very important for the protection of you and your loved ones. Ignoring the points specified in the instructions for use can cause very serious injuries.

Keep your operating instructions as long as you use your rifle. If your rifle changes hands, also hand over your operating instructions. For any lost or missing user manual, please request a free copy from your factory or you can access the information you want from www.pakturkarms.com After cleaning, disassembling or assembling your rifle, please check the functional suitability of the rifle once again before using the cartridge. Any modification made outside of our factory and improper assembly of parts to your rifle can cause very dangerous errors and as a result, serious damage to the user and the people around! Correct assembly and operability of the rifle after any disassembly and reassembly is entirely the responsibility of the user. NEVER enter any cartridge filling and use process without fully reading and understanding the information in this user manual. Before using your rifle, definitely learn the working principles of your rifle, these operations include **"TAKING SAFE POSITION"**, other safety features, opening and closing the mechanism safely, loading and unloading in a safe manner.



White dot, safety is on gun is ready to fire Red dot safety is off

IMPORTANT WARNING • NEVER RELY ON MECHANICAL SAFETY SYSTEMS. Like all other mechanical parts, the safety system can also break, malfunction, wear out, deteriorate, fail to function due to faulty assembly or lack of maintenance. Being dependent on the safety system and relying on it completely does not fit the right rifle usage conditions. • NO SAFETY SYSTEM can prevent the accidental discharge of children or those who do not know how to use the rifle, while playing with the rifle, and the consequences they may cause. • Assume each rifle as "NO MECHANICAL SAFETY SYSTEM" and take your precautions according to this criterion. **MATTERS TO BE CONSIDERED WHEN SHOOTING** Keep your fingers or other objects away from the action area of the bolt and the charging handle while firing, as the mechanism moves back and forth very quickly when firing. Keep the safety on and keep your fingers outside the trigger guard until you are fully ready to fire and fully aim at your target. The mechanism remains open when the last cartridge in the magazine is fired. But never rely on it. Always look inside the magazine to make sure there are no cartridges left. Like all other semi-automatic rifles, the Pak turk Group MH-TS semi-automatic rifle automatically drives the next cartridge from the magazine into the chamber every time you shoot. Since no mechanical force other than pulling the trigger is required for this process, the rifle is ready for the next shot after each shot.



1- Press hook, remove the magazine.



2- Remove barrel shroud by moving it anticlockwise.



3- Remove forend as shown in the picture.



4- Remove gas chamber nut with the tool sent in every box.



5- Remove nut as shown in picture.



6- Remove gas chamber.



7- Now remove piston by pulling it upside.



8- Remove charging handle, please make sure that bolt carrier is pulled a bit backside to remove charging handle easily.



9- Remove barrel nut by moving anti clockwise.



10- Remove bolt barrel assembly.



11- Remove bolt barrel assembly.



12- Remove bolt, and bolt carrier.



13- Remove upper lower by removing pins.



14- Upper, Lower.



1- Patch upper and lower.



2- Patched upper and lower.



3- Put barrel connection nut on the barrel.



4- Put big washer on the barrel.



5- Put small nut on the barrel.



6- Put barrel and bolt carrier spring.



7- Now put bolt carrier.



8- put bolt in its place.



9- iBolt an dbarrel assembly is fixed.



10- Put this assembly inside receiver.



11- Fixed both of nuts tightly on the barrel.



12- Insert charging handle.



13- Fix piston.



14- Fix gas chamber as shown in picture.



15- Now place small washer.



16- Fix gas chamber nut and fix tightly.



17- Gas chamber nut is fixed.



18- Insert forend.

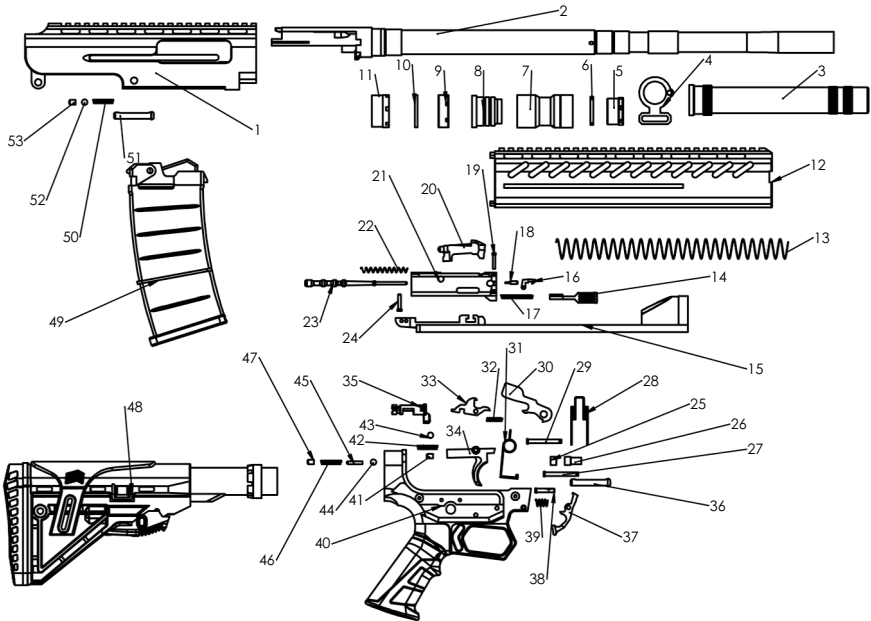


19- Finally fix tightly barrel shroud.



For charging handle placement, hole is not proper.
Place charging handle, hole is proper.





1- RECEIVER	15- SLIDE ARM	29- PIN, TRIGGER	43- SELECTOR DETENT SAFETY
2- BARREL	16- EXTRACTOR	30- HAMMER	44- SECELTOR DETENT PIVONT PIN-1
3- BARREL SHROUD	17- SPRING, EXTRACTOR	31- SPRING, TRIGGER	45- PIN, PIVOT PIN-1
4- SWIWEL	18- PLUNGER EXTRACTOR	32- SPRING, SEAR	46- SPRING PIVOT PIN-1
5- GAS ROOM NUT	19- PIN, EXTRACTOR	33- SEAR	47- SCREW PIVOT PIN-1
6- DISTANCE RING, FRONT	20- LOCKING BLOCK	34- TRIGGER	48- TELESCOPIC STOCK
7- GAS ROOM	21- BOL BODY	35- SAFETY	49- MAGAZINE LOCK
8- PISTON	22- SPRING, FIRING PIN	36- PIVOT PIN FRONT-1	50- SPRING PIVOT PIN-2
9- DISTANCE RING, NUT	23- FIRING PIN	37- MAGAZINE LOCK	51-PIVOT PIN BACK-2
10- DISTANCE RING, BACK	24- PIN, FIRING PIN RETAINING	38- SCREW, MAGAZINE LOCK	52- SPRING PIVOT PIN-2
11- BARREL NUT	25- HAMMER FIXING KIT	39- SPRING, MAGAZINE LOCK	53- SCREW PIVOT PIN-2
12- FOREND	26- HAMMER FIXING KIT	240- TRIGEGR GUARD	
13- BOLT RETURN SPRING	27- PIN, HAMMER	41- SCREW, SAFETY	
14- BOLT HANDLE	28- SPRING, HAMMER	42- SPRING, SAFETY	



LIGHT : 40 - 28 gr

HEAVY : 40 gr



For above 40gr. and magnum cartridges, heavy side of piston is directed towards receiver.

This piston placement is for ROUNDS between 28gr. and 40gr.

We recommend that you follow the usage rule of the evacuated gas chamber system for a longer life and more stable operation of your rifle. This system is used in high gram continuous cartridges. To get the gas pressure required for your rifle to work, and to evacuate the excess, to reduce the impact on your rifle (HEAVY) Low gram cartridges use, dampness of the cartridges, use of mixed cartridges, errors that may occur during the use of cartridges with low gunpowder charge, by strengthening the gas chamber. By absorbing the gas for setting up, to minimize these errors and to get stable performance (LIGHT) There is no leakage in the gas chamber and piston part, known as the oring, as it is not in any part of your rifle, preventive rubber seals are not used. In this way, with your rifle you will not be faced with melting at the time of shooting, losing during cleaning and therefore working properly. You have the opportunity to shoot up to 15 times more without clearing non-stop. Let's not forget that rifles also consist of metal parts that need maintenance. For this reason, we recommend that you store your rifle after cleaning it after use, in order to get better performance (page 2). This system has been put into production after 3000 rounds of continuous firing. Thank you very much for giving importance to your rifle and following the correct usage rules...



PAK TURK



BE COURTEOUS

When shooting or hunting always acquire the permission of the landowner. Respect the land. Do not litter, use gates when possible, leave open and closed gates closed. Drive vehicles only where advance permission has been granted and always express gratitude for use of another person's land.

Offer your labour or game as repayment for the privilege of use. Remember you are helping develop a reputation for all sportsmen/sportswomen.

Mail Us

defence@pakturkarms.com

Address

Hamidiye Mahallesi, 40907.Sokak, No:1-A, Beysehir, konya