



PAK TURK

MH12 DOUBLE BARREL PUMP

INSTRUCTIONMANUAL

READTHE INSTRUCTIONS AND
WARNINGS IN THIS MANUAL
CAREFULLY BEFORE USING THIS
FIREARM

QUALITY CONTROL - WARRANTY CARD

Serial No. of weapon _____ Model _____

Manufacturer _____

Caliber _____ Year of manufacture _____ Barrel Length _____

Number of Cartridges and grams of cartridges tested _____

Chamber details _____

PURCHASER _____

Address _____

Purchase date _____

Signature _____

PLEASE SIGN AND RETURN THIS CARD TO VALIDATE WARRANTY



INTERNATIONAL ARMS & SECURITY

**MH-12 DOUBLE BARREL
PUMPACTION SHOTGUN
INSTRUCTION MANUAL**

As a rifle owner, we will state the following safe rifle usage rules.

You must comply exactly! - Keep your rifle out of reach of children. - Keep your rifle and cartridge in separate places. - Do not store the rifle fully loaded. - After your shot is finished, unload your rifle. Make sure your rifle is unloaded and safe when climbing a tree, jumping over a fence or walking on a slippery surface. -Do not load your rifle before you reach the place where you will shoot. NEVER keep your finger on the trigger before you see the target and decide to fire. - Never shoot at water, rocks or hard surfaces. Regardless of whether your rifle is loaded or unloaded, always make sure that the muzzle of your rifle is pointed in a safe direction. - When giving your rifle to anyone, make sure that the mechanism is fully open and your rifle is safe and without a cartridge. -Always use goggles and headphones while shooting. -After using your rifle, be sure to disassemble the barrel, the choke on the barrel, the gas chamber, the piston, the mechanism, and replace them after cleaning and lubricating them. - When shooting with your rifle, make sure that the fore-end fixing nut, the barrel fixing nut and the gas chamber fixing nut are tightened. (Don't forget to tighten the connection nuts after disassembling your rifle for cleaning or any other reason)

Otherwise, your rifle will leak gas and the barrel will not be stable, so the operating efficiency will decrease.

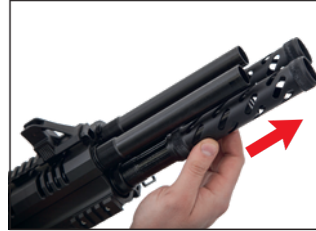
Safety rules are very important for the protection of you and your loved ones. Ignoring the points specified in the instructions for use can cause very serious injuries. Keep your operating instructions as long as you use your rifle. If your rifle changes hands, also hand over your operating instructions. For any lost or missing user manual, please request a free copy from your factory or you can access the information you want from www.huntgrouparms.com After cleaning, disassembling or assembling your rifle, please check the functional suitability of the rifle once again before using the cartridge. Any modification made outside of our factory and improper assembly of parts to your rifle can cause very dangerous errors and as a result, serious damage to the user and the people around! Correct assembly and operability of the rifle after any disassembly and reassembly is entirely the responsibility of the user. NEVER enter any cartridge filling and use process without fully reading and understanding the information in this user manual. Before using your rifle, definitely learn the working principles of your rifle, these operations include **"TAKING SAFE POSITION"**, other safety features, opening and closing the mechanism safely, loading and unloading in a safe manner.

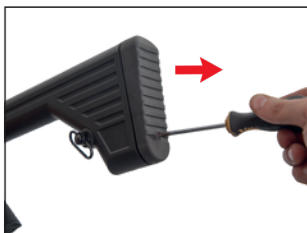


White dot, safety is on gun is ready to fire
Red dot safety is off

IMPORTANT WARNING • NEVER RELY ON MECHANICAL SAFETY SYSTEMS. Like all other mechanical parts, the safety system can also break, malfunction, wear out, deteriorate, fail to function due to faulty assembly or lack of maintenance. Being dependent on the safety system and relying on it completely does not fit the right rifle usage conditions. • NO SAFETY SYSTEM can prevent the accidental discharge of children or those who do not know how to use the rifle, while playing with the rifle, and the consequences they may cause. • Assume each rifle as "NO MECHANICAL SAFETY SYSTEM" and take your precautions according to this criterion.

MATTERS TO BE CONSIDERED WHEN SHOOTING Keep your fingers or other objects away from the action area of the bolt and the charging handle while firing, as the mechanism moves back and forth very quickly when firing. Keep the safety on and keep your fingers outside the trigger guard until you are fully ready to fire and fully aim at your target. The mechanism remains open when the last cartridge in the magazine is fired. But never rely on it. Always look inside the magazine to make sure there are no cartridges left. Like all other semi-automatic rifles, the Hunt Group PRO M-AR semi-automatic rifle automatically drives the next cartridge from the magazine into the chamber every time you shoot. Since no mechanical force other than pulling the trigger is required for this process, the rifle is ready for the next shot after each shot.

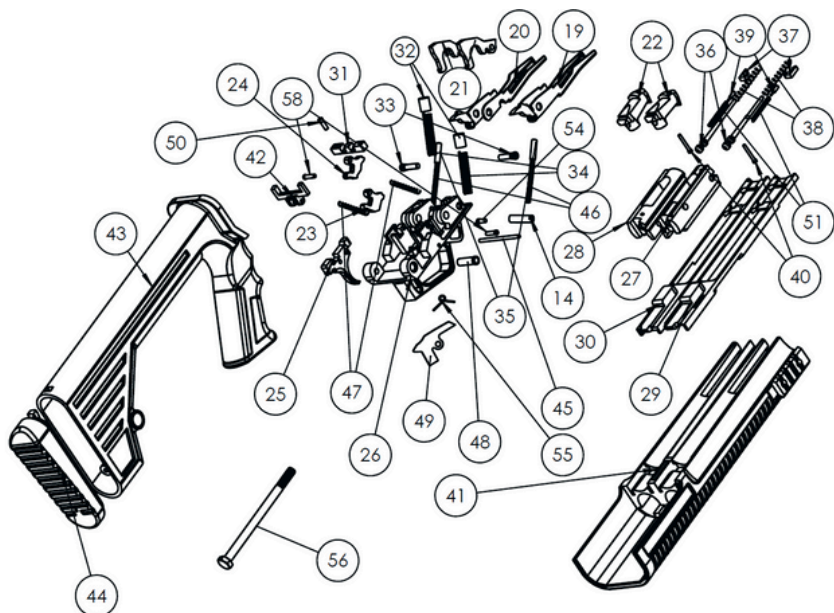
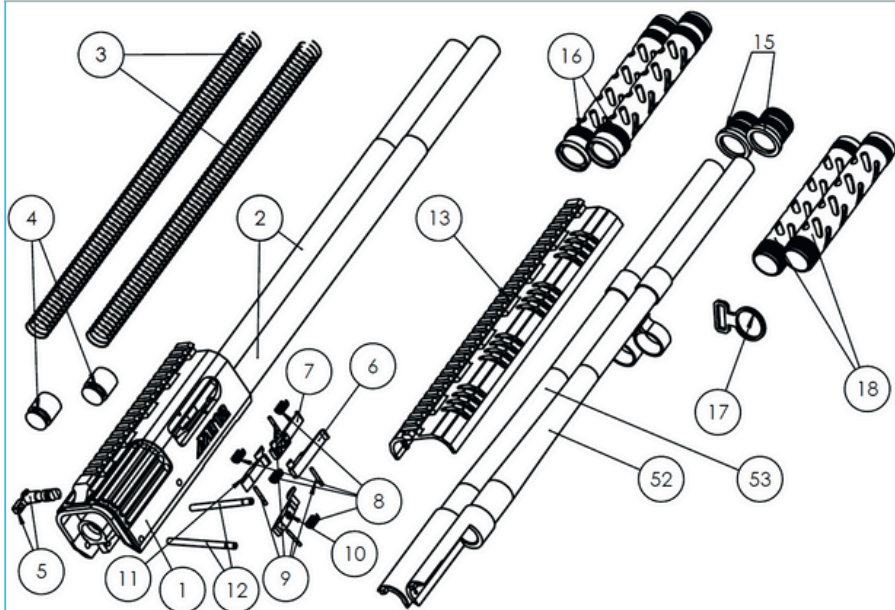












1- RECEIVER	20- LOCKING BLOCK	39- SPRING, MAGAZINE LOCK
2- BARREL	21- BOL BODY	40- TRIGEGR GUARD
3- BARREL SHROUD	22- SPRING, FIRING PIN	41- SCREW, SAFETY
4- SWIWEL	23- FIRING PIN	42- SPRING, SAFETY
5- GAS ROOM NUT	24- PIN, FIRING PIN RETAINING	43- SELECTOR DETENT SAFETY
6- DISTANCE RING, FRONT	25- HAMMER FIXING KIT	44- SECELTOR DETENT PIVONT PIN-1
7- GAS ROOM	26- HAMMER FIXING KIT	45- PIN, PIVOT PIN-1
8- PISTON	27- PIN, HAMMER	46- SPRING PIVOT PIN-1
9- DISTANCE RING, NUT	28- SPRING, HAMMER	47- SCREW PIVOT PIN-1
10- DISTANCE RING, BACK	29- PIN, TRIGGER	48- TELESCOPIC STOCK
11- BARREL NUT	30- HAMMER	49- MAGAZINE LOCK
12- FOREND	31- SPRING, TRIGGER	50- SPRING PIVOT PIN-2
13- BOLT RETURN SPRING	32- SPRING, SEAR	51-PIVOT PIN BACK-2
14- BOLT HANDLE	33- SEAR	52- SPRING PIVOT PIN-2
15- SLIDE ARM	34- TRIGGER	53- SCREW PIVOT PIN-2
16- EXTRACTOR	35- SAFETY	54-PIVOT PIN BACK-2
17- SPRING, EXTRACTOR	36- PIVOT PIN FRONT-1	55- SPRING PIVOT PIN-2
18- PLUNGER EXTRACTOR	37- MAGAZINELOCK	56- SCREW PIVOT PIN-2
19- PIN, EXTRACTOR	38- SCREW,MAGAZINE LOCK	



PAK TURK



BE COURTEOUS

When shooting or hunting always acquire the permission of the landowner. Respect the land. Do not litter, use gates when possible, leave open and closed gates closed. Drive vehicles only where advance permission has been granted and always express gratitude for use of another person's land. Offer your labour or game as repayment for the privilege of use. Remember you are helping develop a reputation for all sportsmen/sportswomen.

Mail Us

defence@pakturkarms.com

Address

Hamidiye Mahallesi, 40907.Sokak, No:1-A, Beysehir, konya